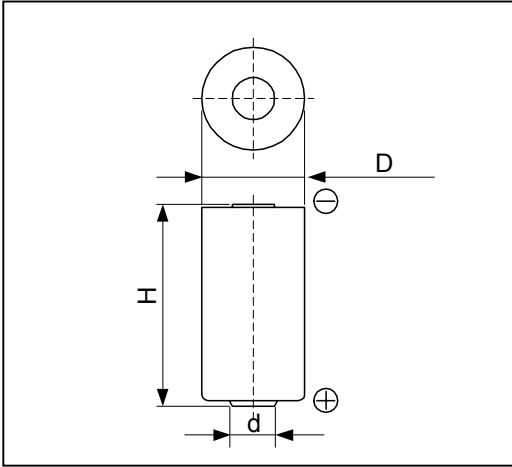




Cell Type CR17335SE Specifications



Nominal Capacity ^{*1}		1800mAh
Nominal Voltage		3V
Standard Discharge Current		1.0mA
Max. Discharge Current	Continuous ^{*2}	8mA
	Pulse ^{*3}	100mA
Temperature Range		-40°C ~ 85°C
Weight		17g
Dimensions	D	17.0mm
	H	33.5mm
	d	7mm

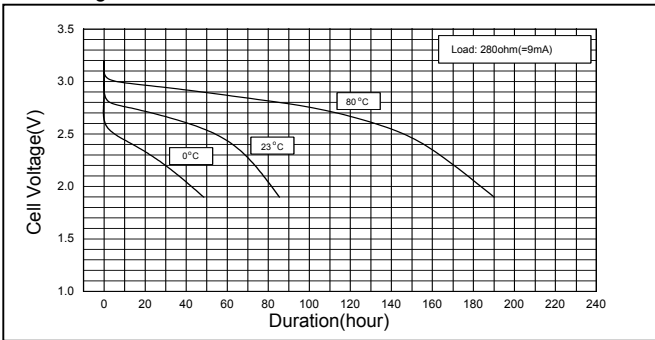
*1 Nominal capacity is determined to an end voltage of 2.0V when the battery is allowed to discharge at a standard current level at 23°C.

*2 Current value is determined to be the level at which 50% of the nominal capacity is obtained with an end voltage of 2.0V at 23 °C.

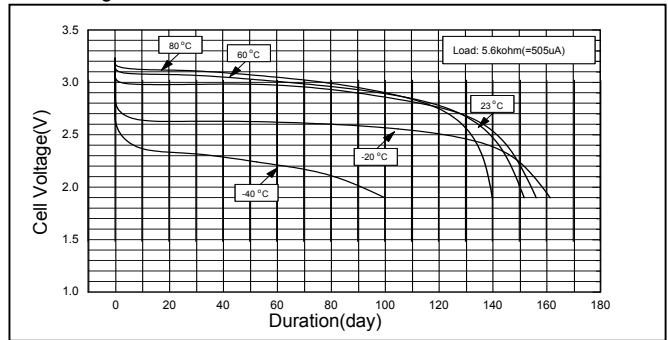
*3 Current value for obtaining 2.0V cell voltage when pulse is applied for 15seconds at 50% discharge depth at 23 °C.

Typical Characteristics

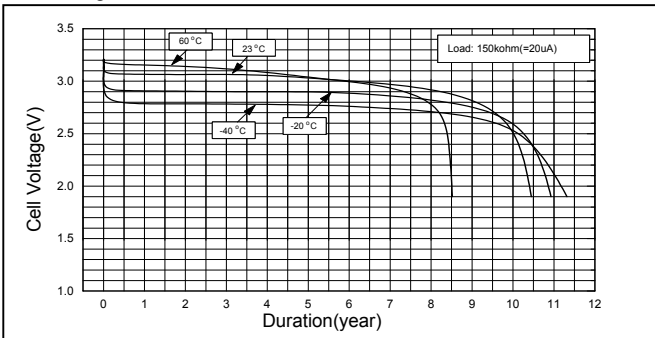
Discharge Characteristics of CR17335SE



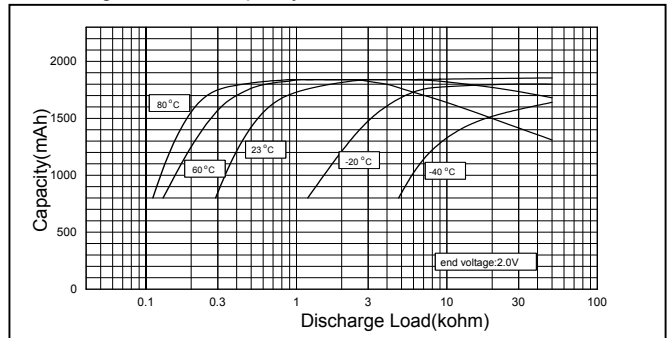
Discharge Characteristics of CR17335SE



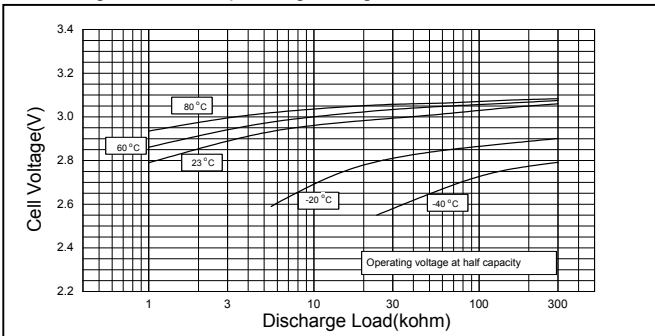
Discharge Characteristics of CR17335SE



Discharge Load vs. Capacity of CR17335SE



Discharge Load vs. Operating Voltage of CR17335SE



Discharge Characteristics of CR17335SE

