

Fiche Technique : Batteries Plomb Long Life

Marque : Long

Version : Original

Désignation : Batterie Plomb Long Life 12v - 34Ah

Tension : 12v

Capacité : 34Ah

Bornes : Insert M5

Type : Plomb

Dimensions : 197x 131x 159mm

Poids : 10,3kg

Référence : WPL34-12N



MULTIBATT SRL

Tél : (+32) 69 54 53 02

E-Mail : alex@multibatt.be

Web : www.multibatt.be



Specifications

Nominal Voltage(V)

12V

Nominal Capacity

20 hour rate	(1.7A to 10.50V)	34Ah
10 hour rate	(3.23A to 10.50V)	32.3Ah
5 hour rate	(5.78A to 10.20V)	28.9Ah
1C	(34A to 9.60V)	19.27Ah
3C	(102A to 9.60V)	13.6Ah

Weight

Approx. 10.3kg(22.7Lbs.)

Internal Resistance (at 1KHz)

Approx. 6 mΩ

Maximum Discharge Current for

5 seconds:510A

Charging Methods at 25°C(77°F)

Maximum Charging Current :	10.2A
Standby use:	
Float Charging Voltage	13.5 to 13.8V
Coefficient	-3.0mV/°C/cell

Operating Temperature Range

Charge	-15°C(5°F)	to	40°C(104°F)
Discharge	-15°C(5°F)	to	50°C(122°F)
Storage	-15°C(5°F)	to	40°C(104°F)

Charge Retention (shelf life) at 20°C(68°F)

1 month	97%
3 month	92%
6 month	85%

Case Material

ABS UL94 HB

Option: Flammability resistance of (UL94 V-0)

Design Life & Standard

EUROBAT (20°C):10/12 YEARS LONG LIFE

Terminal

F6

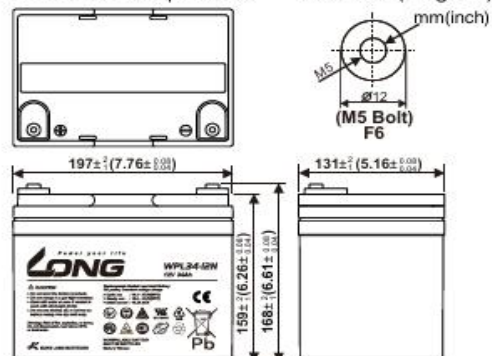


Dimensions

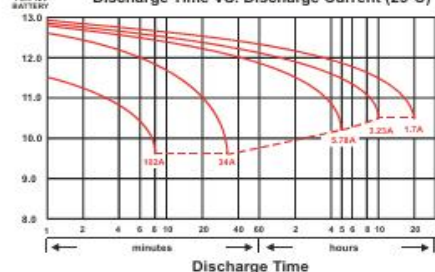
Length (L)	197± ² ₁ (7.76± ^{0.08} _{0.04})
Width (W)	131± ² ₁ (5.16± ^{0.08} _{0.04})
Height (H)	159± ² ₁ (6.26± ^{0.08} _{0.04})
Overall Height (HT)	168± ² ₁ (6.61± ^{0.08} _{0.04})

Description of torque value of hardware for the terminals:

Recommended torque value	M5:4 N-m (41kgf-cm)
Maximum allowable torque value	M5:6 N-m (61kgf-cm)



Discharge Time VS. Discharge Current (25°C)



MULTIBATT SRL

Tél : (+32) 69 54 53 02

E-Mail : alex@multibatt.be

Web : www.multibatt.be

