

Fiche Technique : Batteries Plomb

**Marque :** Long

**Version :** Original

**Désignation :** Batterie Plomb 12v - 5Ah

**Tension :** 12v

**Capacité :** 5Ah

**Faston :** 4.8mm

**Type :** Plomb

**Dimensions :** 90x 70x 101mm (107)

**Poids :** 1.90kg

**Référence :** WP5-12



**MULTIBATT SRL**

Tél : (+32) 69 54 53 02

E-Mail : alex@multibatt.be

Web : www.multibatt.be



**WP5-12** 12Volt 5Ah

**Specifications**

Nominal Voltage(V) **12V**

**Nominal Capacity**

20 hour rate	(0.25A to 10.50V)	<b>5Ah</b>
10 hour rate	(0.475A to 10.50V)	<b>4.75Ah</b>
5 hour rate	(0.85A to 10.20V)	<b>4.25Ah</b>
1 C	(5A to 9.60V)	<b>2.833Ah</b>
3 C	(15A to 9.60V)	<b>2.0Ah</b>

**Weight** Approx. **1.9kg(4.18Lbs.)**

**Internal Resistance (at 1KHz)** Approx. **19 mΩ**

**Maximum Discharge Current for**

**5 seconds:** **75A**

**Charging Methods at 25°C (77°F)**

**Cycle use:**

Charging Voltage **14.4 to 15.0V**

Coefficient **-5.0mv/°C/cell**

Maximum Charging Current : **1.5A**

**Standby use:**

Float Charging Voltage **13.50 to 13.80V**

Coefficient **-3.0mv/°C/cell**

**Operating Temperature Range**

Charge **-15°C (5°F) to 40°C (104°F)**

Discharge **-15°C (5°F) to 50°C (122°F)**

Storage **-15°C (5°F) to 40°C (104°F)**

**Charge Retention (shelf life) at 20°C (68°F)**

1 month **92%**

3 month **90%**

6 month **80%**

**Case Material** **ABS**

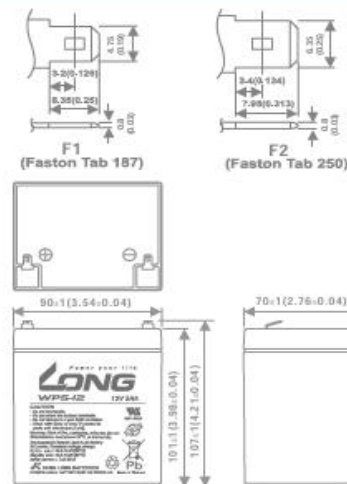
(Option: UL94 HB & UL94 V-0 flame retardant )

**Terminal** **F1 or F2 (Faston Tab 187 or 250)**

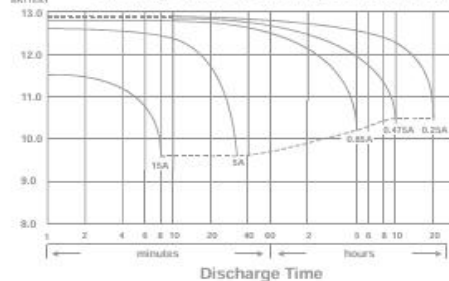


**Dimensions**

**mm(inch)**



(4) Discharge Time VS. Discharge Current (25°C)



**MULTIBATT SRL**

Tél : (+32) 69 54 53 02

E-Mail : alex@multibatt.be

Web : www.multibatt.be

