

Fiche Technique : Batteries Plomb

**Marque :** Long

**Version :** Original

**Désignation :** Batterie Plomb 12v - 26Ah

**Tension :** 12v

**Capacité :** 26Ah

**Faston :** M5

**Type :** Plomb

**Dimensions :** 166x 175x 125mm

**Poids :** 9,2kg

**Référence :** WP26-12



**MULTIBATT SRL**

Tél : (+32) 69 54 53 02

E-Mail : alex@multibatt.be

Web : www.multibatt.be



### ⚡ Specifications

#### Nominal Voltage(V)

12V

#### Nominal Capacity

20 hour rate	(1.3A to 10.50V)	26Ah
10 hour rate	(2.47A to 10.50V)	24.7Ah
5 hour rate	(4.42A to 10.20V)	22.1Ah
1 C	(26A to 9.60V)	14.73Ah
3 C	(78A to 9.60V)	10.4Ah

#### Weight

Approx. 9.1kg(20.0Lbs.)

#### Internal Resistance (at 1KHz)

Approx. 7.2 mΩ

#### Maximum Discharge Current for

5 seconds: 390A

#### Charging Methods at 25°C(77°F)

Cycle use:	
Charging Voltage	14.4 to 15.0V
Coefficient	-5.0mV/°C/cell
Maximum Charging Current :	7.8A
Standby use:	
Float Charging Voltage	13.5 to 13.8V
Coefficient	-3.0mV/°C/cell

#### Operating Temperature Range

Charge	-15°C(5°F)	to	40°C(104°F)
Discharge	-15°C(5°F)	to	50°C(122°F)
Storage	-15°C(5°F)	to	40°C(104°F)

#### Charge Retention (shelf life) at 20°C(68°F)

1 month	97%
3 month	92%
6 month	85%

#### Case Material

ABS UL94 HB  
Option: Flammability resistance of (UL94 V-0)

#### Design Life

EUROBAT(20°C):3-5 YEARS STANDARD COMMERCIAL

#### Terminal

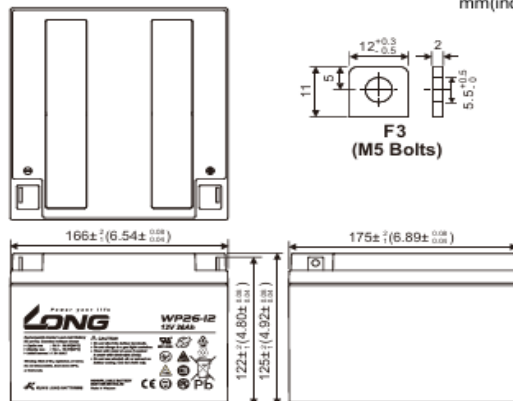
F3



### ⚡ Dimensions

Length (L)	166± <sup>0.08</sup> <sub>0.04</sub>
Width (W)	175± <sup>0.08</sup> <sub>0.04</sub>
Height (H)	125± <sup>0.08</sup> <sub>0.04</sub>
Overall Height (HT)	125± <sup>0.08</sup> <sub>0.04</sub>

mm(inch)



(V) FOR 12V BATTERY Discharge Time VS. Discharge Current (25°C)

