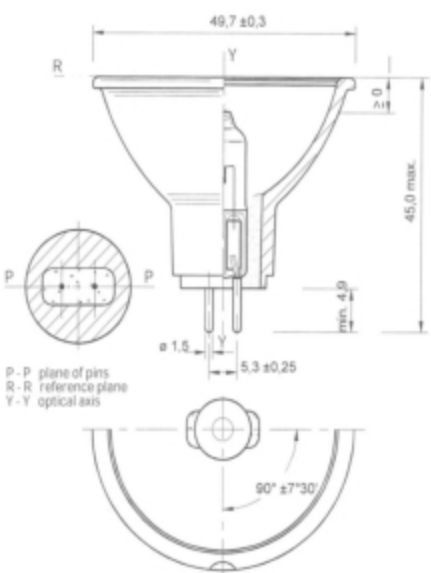




<b>Projection</b>	
	<b>Type 54090</b> <b>14,5V 90W GX5,3</b>
	<b>Ordering - No.</b> <b>54090</b>
<b>Product Description</b>	Halogen reflector lamp
<b>Features</b>	Quartz Bulb, Pre-Focused (Filament), Dimmable
<b>Application</b>	Projection

<b>Technical Details</b>	
ANSI Code	EPX/EPV
LIF Code	-
Rated Voltage (V)	13,8
Wattage (W)	90
Color Temperature (K)	3200
Average Lifetime (h)	500
Base	GX5,3
Reflector Finish	smooth
Operating Position	S105 
Max. permissible Temperatures (degree C)	350 <ul style="list-style-type: none"> <li>• Pinch</li> <li>• Bulb</li> </ul>
Environmental Remark	Product don't contain lead or mercury and is conform with Directive 2011/65/EC "Restriction of the use of certain hazardous substances in electrical and electronic equipment".

<b>Drawing (in mm)</b>
 <p>         P - P plane of pins          R - R reference plane          Y - Y optical axis       </p>