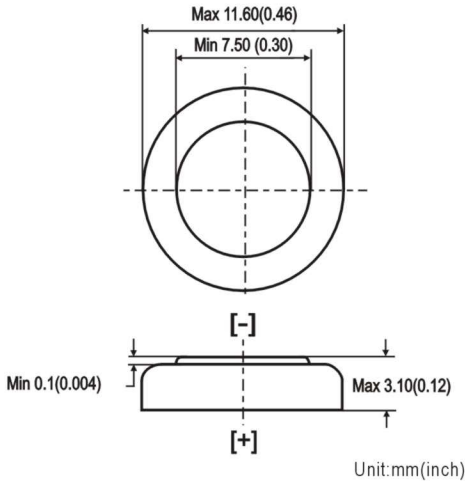


## ALKALINE BUTTON CELL

Document Title: PB031130

# LR1130



**Chemical System:** Primary Alkaline

**Camelion Model:** LR1130(AG10)

**IEC Name:** LR 54, LR1130

**Average Weight:** 1.1g

**Dimension ( $\varnothing$  x H):** 11.6 x 3.10mm  
(0.46 x 0.12inch)

**Negative Terminal:** Trimetal or steel gold plated

**Positive Terminal:** Nickel plated steel

**Nominal Voltage:** 1.5Volts

**Nominal Service Capacity:** 80.0mAh  
( $20 \pm 2^\circ\text{C}$ , Rated at 1.0K  $\Omega$  to 0.9V)

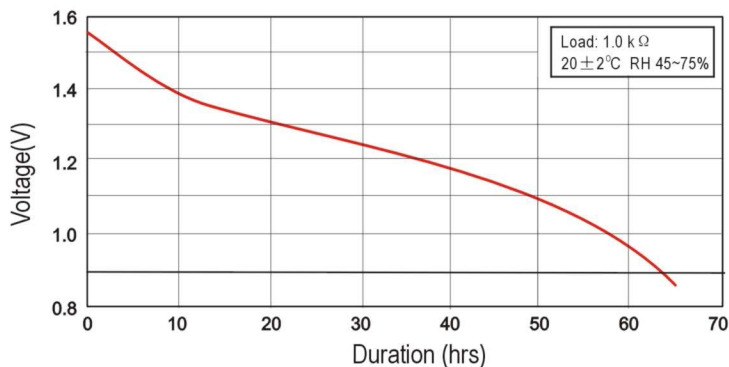
**Discharge Current:** 0~10.0mA

**Cross Reference:** V10GA(Varta), RW89(Rayovac),  
189(Eveready), LR1130(Maxcell),  
389A, 1168A, GP89A

## Discharge Characteristic

Load Resistance	Cut Off Voltage	Discharge Pattern	Starting Drain	Duration
1.0k $\Omega$	0.9V	24hrs/day	1.5mA	63hrs

## Discharge Curve



**Notice:**

This information is subject to change without prior notice and for reference only. It should not be used as a basis for a product guarantee or warranty. For additional information, please consult your nearest Camelion Sales Office or Distributor or visit our website at: [www.camelionbattery.com](http://www.camelionbattery.com).