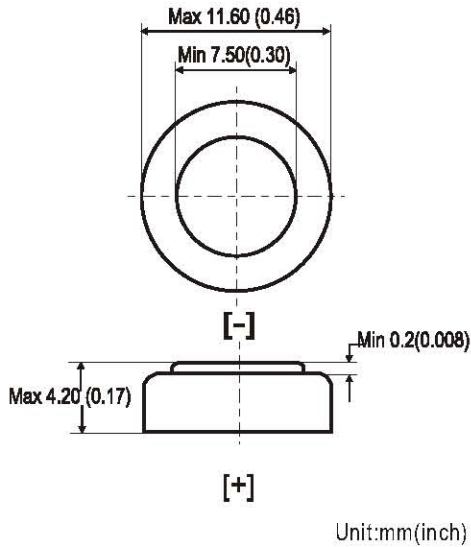


ALKALINE BUTTON CELL

Document Title: PB0343

LR43

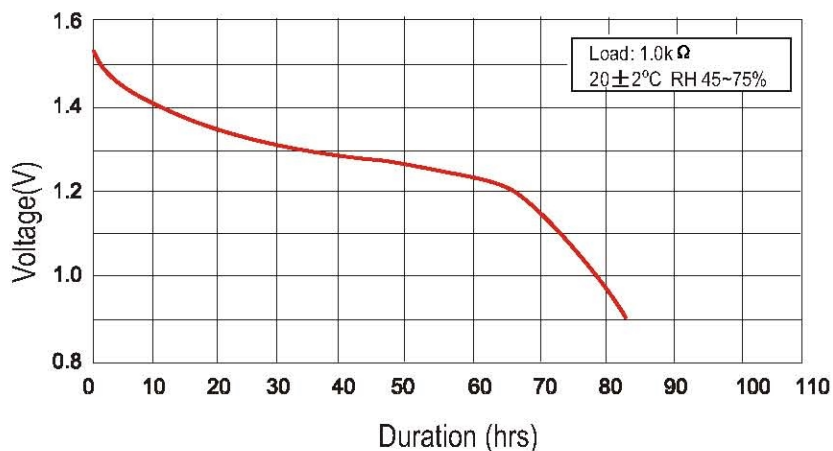


Chemical System : Primary Alkaline
Camelion Model : LR 43(AG12)
IEC Name: LR 43
ANSI/NEDA: 1167A
Average Weight : 1.55g
Dimension (∅ x H) : 11.60x4.20 mm
 (0.46x0.17inch)
Negative Terminal : Trimetal or steel gold plated
Positive Terminal: Nickel plated steel
Nominal Voltage : 1.5Volts
Nominal Service Capacity: 108mAh
 (20±2°C , Rated at 1.0KΩ to 0.9V)
Discharge Current: 0~10.0mA
Cross Reference: V12GA(Varta), RW84(Rayovac),
 186(Eveready), LR43(Maxcell),
 386A, GP86A

Discharge Characteristic

Load Resistance	Cut Off Voltage	Discharge Pattern	Starting Drain	Duration
1.0k Ω	0.90V	24hrs/day	1.5mA	82hrs

Discharge Curve



Notice:

This information is subject to change without prior notice and for reference only. It should not be used as a basis for a product guarantee or warranty. For additional information, please consult your nearest Camelion Sales Office or Distributor or visit our website at: www.camelionbattery.com.