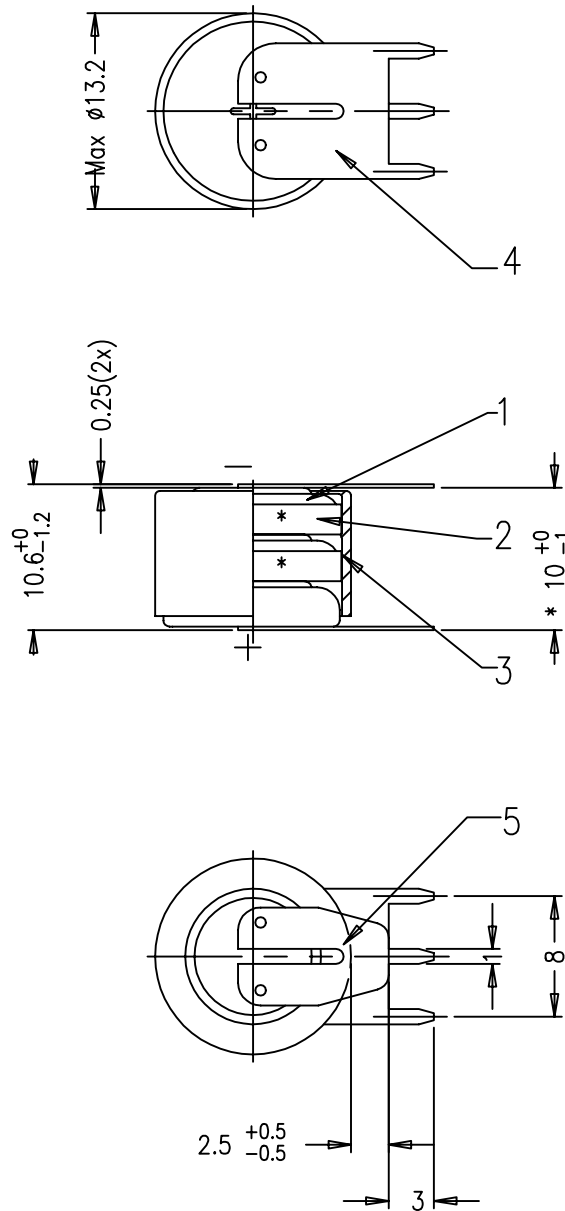


This is a controlled document.

Hardcopy to be endorsed by authorized person.

Check with Issuing Office or SAP system for latest update.



Note: * For reference only

Approximate weight of battery : 4.2g

No.	Alterations:	Date:	Name:	Dimensions in mm	Material:
				Tolerance: DIN 7168 Medium	Refer to part list no: 071071
				Projection:	Description: 3/V15H battery with snap-on plastic casing & solder tags
				Scale: 2 : 1	
				Date: 1998-03-07 Name: Titis WS	
				Prepared: 2000- Approved:	
RIGHTS RESERVED TO MAKE TECHNICAL CHANGES, AS A RESULT OF FURTHER DEVELOPMENT, WITHOUT NOTICE . THIS DRAWING IS THE PROPERTY OF VARTA BATTERIES PTE LTD AND MUST NOT BE COPIED OR DISCLOSED TO A THIRD PARTY WITHOUT THE WRITTEN CONSENT OF VARTA BATTERIES PTE LTD.					
				Dwg. No:	071071
				VKB Order No:	55602 603 059
				Orig No:	