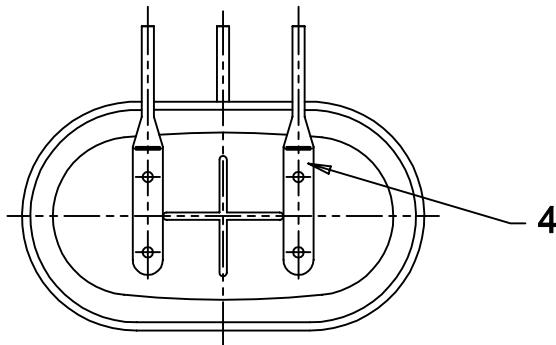
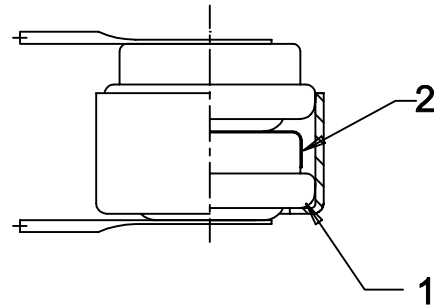
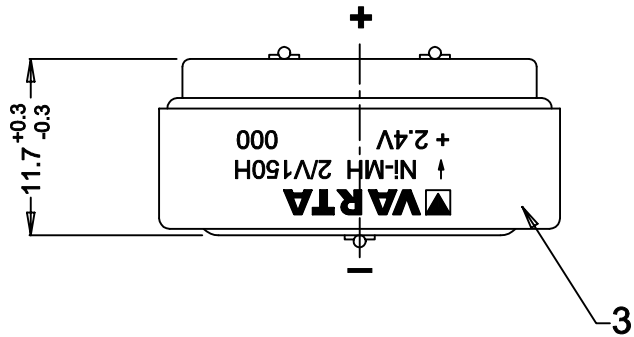
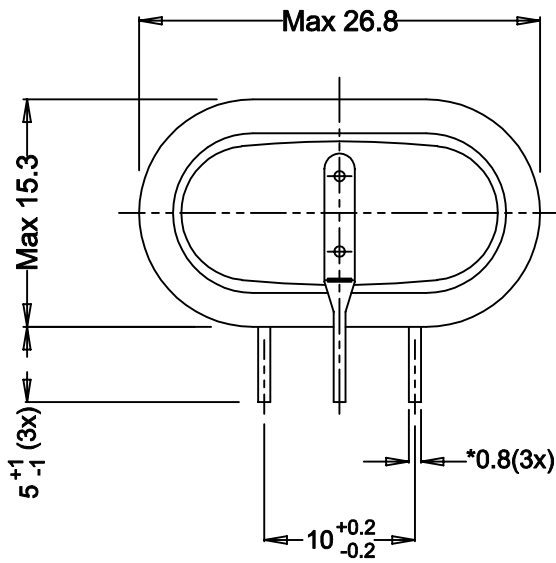


This is a controlled document.
 Hardcopy to be endorsed by authorized person.
 Check with Issuing Office or SAP system to latest update.



Note: *Dimensions for reference only

Approx. wt : 14 g

| | | | | | |
|---|---|------------|------------------------------|-----------------------------|--|
| No. | Alterations: | Date: | Name: | Dimensions in mm | Material: |
| | 1 AO R36/03; Terminal pin change to use flatten model | 2002-08-22 | TitlisWS | Tolerance: As specified | Refer to part list no: 063705 |
| | | | | Projection: | Description: 2/V150H battery with casing & terminal pin |
| | | | | Scale: 2 : 1 | |
| | | | | Loc. : 1 Date: Name: | |
| | | | Prepared: 2001-02-19 Yeni | | |
| | | | Approved: 2003- | | |
| RIGHTS RESERVED TO MAKE TECHNICAL CHANGES, AS A RESULT OF FURTHER DEVELOPMENT, WITHOUT NOTICE. THIS DRAWING IS THE PROPERTY OF VARTA BATTERIES PTE LTD AND MUST NOT BE COPIED OR DISCLOSED TO A THIRD PARTY WITHOUT THE WRITTEN CONSENT OF VARTA BATTERIES PTE LTD. | | | | | |
| | | | | | |
| | | | | VKB Order No: 55615 602 940 | |
| | | | | Released : 2001-02-19 | |